



## 2.5GBase-T Lan Magnetics

JASN is China 2.5GBase-T Lan Magnetics manufacturer & supplier who mainly produces Lan Magnetics with many years of experience. The PN V24C13SWU is comply with IEEE802.3bz&802.3bt and support 4PPoE 100W option.

Model:V24C13SWU

As a professional high quality 2.5GBase-T Lan Magnetics manufacturer, you can rest assured to buy 2.5GBase-T Lan Magnetics from JASN factory and we will offer you the best after-sale service and timely delivery.

### Feature

Comply with IEEE802.3bz&802.3bt.

Comply with RoHS requirements.

Designed to support applications up to 1200mA Per centre tap.

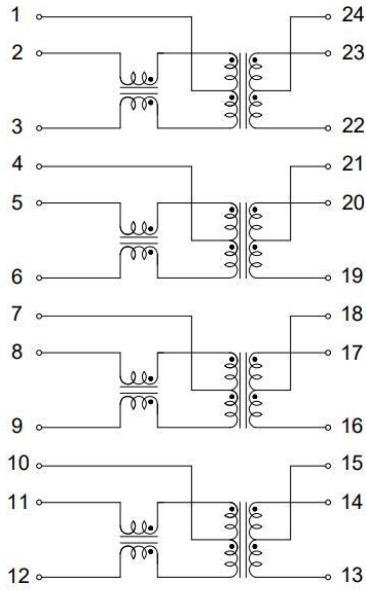
Operating temperature range: -40°C to +85°C.

Storage temperature range: -40°C to +125°C.

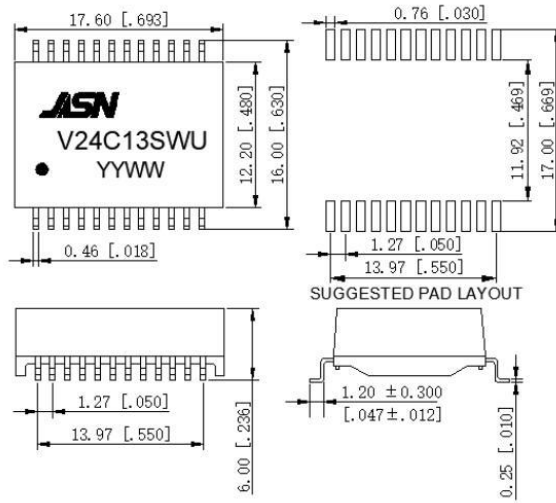
### Electrical Specifications @ 25°C

OCL:	150uH Min. @100KHz/0.1V with 18mA DC Bias
Hi-Pot :	1500Vrms
Turns Ratio:	1CT:1CT±3%
D.C.R:	1.0 ohm Max
Insertion Loss:	-1.0dB Max@1-100MHz
	-2.0dB Max@100-250MHz
Return Loss:	-16dB Min @1-40MHz
	-16+10log(f/40)dB Min@40-250MHz
Cross Talk :	-30dB Min@ 1-125MHz
	-25dB Min@ 125-250MHz
CMRR:	-30dB Min@ 1-125MHz
	-25dB Min@ 125-250MHz

Schematic



Mechanical



1. Unit: mm[inch]

2. Unless otherwise specified, all tolerances are ±0.25[.01]