



10GBase-T Network Transformer

Jansum Electronics is China manufacturer & supplier who mainly produces 10GBase-T Network Transformer with many years of experience. T24C03SP meets IEEE 802.3an and supports PoE application.

Model:T24C03SP

JASN 10GBase-T Network Transformer have characteristic design & practical performance & competitive price, for more information on the 10GBase-T Network Transformer, please feel free to contact us.

Feature

Comply with RoHS requirements.

Comply with IEEE802.3an&802.3at.

Suitable for End-span PoE applications with 720mA current capability

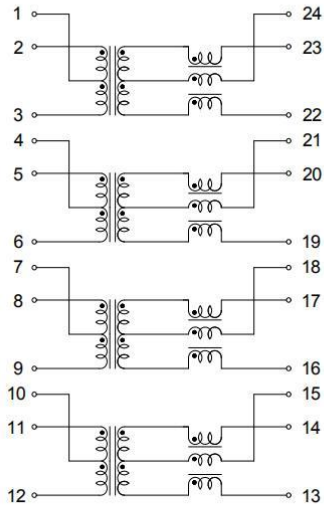
Operating temperature range: 0℃ to +70℃.

Storage temperature range: -25℃ to +125℃.

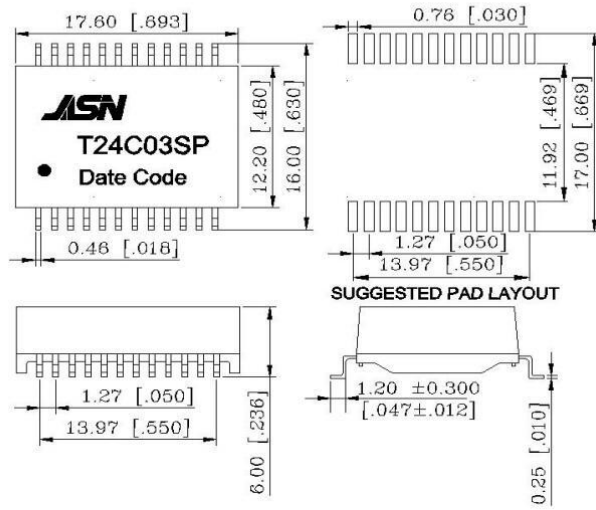
Electrical Specifications @ 25℃

OCL:	120uH Min. @100KHz/0.1V with 10.8mA DC Bias
Hi-Pot :	1500Vrms
Turns Ratio:	1CT:1CT±3%
D.C.R:	1.0 ohm Max
Insertion Loss:	-1.5dB Max@1-250MHz
	-3.0dB Max @250-500MHz
Return Loss	-16dB Min@ 1-40MHz
	-16+10log(f/40)dB Min @40-500MHz
Crosstalk	-35dB Min@ 1-100MHz
	-30dB Min@ 100-500MHz
CMRR	-30dB Min@ 1-250MHz
	-20dB Min@ 250-500MHz

Schematic



Mechanical



1. Unless otherwise specified, all tolerances are ± 0.25 [0.01]
2. Coplanarity: 0.1 [0.004]
3. Unit mm [inch]